

# E-comfort instant water heater DEX12 Next



## Application areas

Single and multiple point supply:

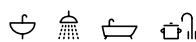
- > Bathroom (shower, bath tub, washbasin)
- > Shower room
- > Kitchen sink
- > Washbasin



# E-comfort instant water heater

## DEX12 Next

### Product information



**Energy efficiency class** **A**

(Scale: A+ to F)

**DEX12 Next** (Multiple Power System: 8.8 or 11.5 kW adjustable)

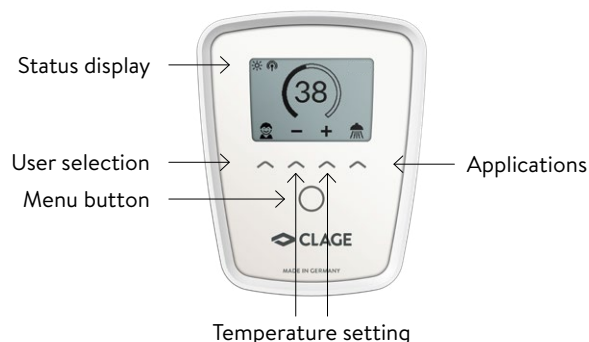
Part number:	3200-36412	
Type:	closed-outlet	
Maximum operating pressure [MPa (bar)]:	1(10) <sup>1)</sup>	
Water connections (thread connections):	G½"	
User set temperature [°C]:	20 to 60	
Hot water output at $\Delta t = 28\text{ K}$ <sup>2) 3)</sup> [l/min]:	4.5	5.9 <sup>4)</sup>
Switch-on flow rate / max. flow rate [l/min]:	1.5 / 5.0 <sup>5)</sup>	
Nominal power rating [kW]:	8.8	11.5
Supply voltage [1~/N/PE 220 – 240 V AC]:	☑ Direct connection	
Selected power (current) @ 220 V [kW / A]:	8.1 / 36.6	10.5 / 47.8
Selected power (current) @ 230 V [kW / A]:	8.8 / 38.3	11.5 / 50.0
Selected power (current) @ 240 V [kW / A]:	9.6 / 39.9	12.5 / 52.2
Required cable diameter [mm <sup>2</sup> ]:	10.0	
Bare wire heating system IES®:	✓	
Ready for Smart Control:	✓ ☑ Android iOS (optional)	
Ready for FX3 Bluetooth remote control:	✓ Bluetooth (optional)	
Solar-compatible, suitable for reheating (inlet temperature ≤ 70 °C):	✓ ☑	
VDE approved / Protection class:	✓ / IP 25	
Specific water resistance at 15 °C [ $\Omega\text{cm}$ ] ≥ :	1300	
Nominal volume [litres]:	0.4	
Weight filled with water [kg]:	approx. 4.2	
Dimensions (height × width × depth) [cm]:	46.8 × 23.9 × 9.6	

1) Also approved for pressureless operation 2) Temperature increase e.g. from 12 °C to 40 °C 3) Depending on the set nominal power rating 4) Mixed water  
5) Flow limited for optimum temperature increase

#### Description

- > Electronically controlled E-comfort instant water heater with E-Paper display and sensor keys
- > Precise temperatures between 20 °C and 60 °C due to TWIN TEMPERATURE Control TTC® up to the full rated power output
- > Particularly low switch-on water volume from 1.5 l/min thanks to innovative water flow technology
- > Particularly air-resistant heating system thanks to innovative heating duct arrangement
- > The efficient bare wire heating system IES® reduces lime scale deposits and provides an extended service life
- > Electronic safety system with air bubble detection, temperature and pressure cut-off as well as water stop function
- > With the Multiple Power System MPS®, the maximum power rating is set at the time of installation: 8,8 or 11,5 kW
- > Easy installation due to accessible mounting area
- > Bluetooth remote control module available as accessory
- > Can also be controlled via tablet or smartphone (iOS9 or higher / Android-OS 4.4 or higher, FXE3 adapter and the »Smart Control« app required)
- > Solar-compatible (inlet temperature ≤ 70 °C)

#### Comfortable E-Paper display with glass cover and sensor keys



The DEX12 Next is operated via a high-contrast E-Paper display with sensor keys. Up to four user profiles with different applications can be individually adapted. The consumption values for electricity and hot water are stored by the device and can be viewed in the statistics.

# E-comfort instant water heater

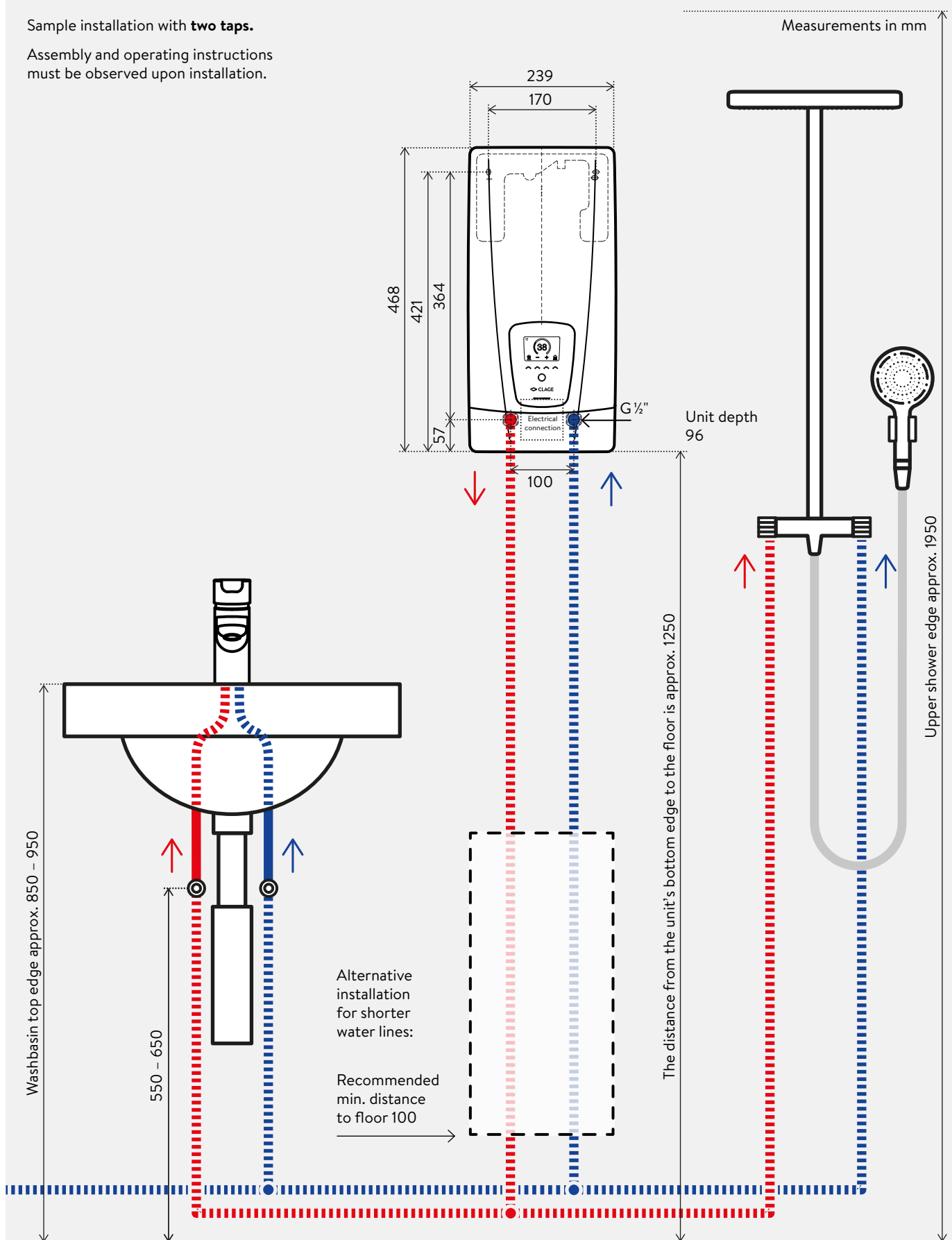
## DEX12 Next

### Installation



Sample installation with **two taps**.

Assembly and operating instructions must be observed upon installation.





**FX3 remote control** (optional)

Additional remote control for convenient temperature adjustment of the instant water heater at interior distances of up to 10 meters. Secure Bluetooth transfer, continuous two-button temperature selection, two pre-set buttons and a LCD display, magnetic wall holder and batteries included. IP 20.

Dimensions (H × W × D): 5.8 × 12.5 × 1.9 cm

**FX3:** Part no. 3200-34021



**FXS3 (D, M) remote control set** (optional)

FX3 remote control including Bluetooth® remote control adapter FXE3 for integration into the instantaneous water heater as a set. In addition to the operation at the device, the remote control allows the comfortable temperature adjustment of the instantaneous water heater over a distance of approx. 10 metres in the building. Secure Bluetooth® radio transmission, stepless temperature selection via two buttons, two fixed value buttons and an LCD display, magnetic wall bracket and batteries (included in delivery).

IP 20. Dimensions (H × B × T): 5.8 × 12.5 × 1.9 cm

**FXS3 (D, M):** Part no. 3200-34020



**FXE3 (D, M) remote control adapter** (optional)

Bluetooth® remote control adapter for integration into the instantaneous water heater to connect the water heater to a smartphone / tablet or the FX3 remote control. This adapter is required if the appliances are not yet equipped with an FX3 remote control.

**FXE3 (D, M):** Part no. 3200-34022



Apple



Android