

### Application areas

For softening water for boiling water appliances and for treating tap water:

- > Zip HydroTap® G4

---

- > Zip HydroTap® G5

---

- > Zip Hydroboil®

---

- > Zip Hydroboil® Plus

---

- > Kitchen taps

---





# Filter systems for water treatment

## KKF and KSF

### Product information



Filter > 	KKF Limescale filter cartridge	KSF Dirt filter cartridge
Filter cartridge [Part no.]:	845064	845060
Required pressure [bar]:	2 – 6	3 – 6
Flow rate [l/min]:	max. 5.0	max. 5.0
Capacity [litres]:	see table	6000
Inlet temperature [°C]:	5 – 23	5 – 23
Dimensiones hight [cm]:	41	30
Dimensiones diameter [cm]:	12	11

Water hardness (Carbonat hardness)	Capacity overview of Filter cartridge KKF
Capacity at 10°KH [litres]:	3.000
Capacity at 15°KH [litres]:	1.500
Capacity at 20°KH [litres]:	1.200
Capacity at 25°KH [litres]:	1.000

#### Operating instructions

Replace the filter cartridge when the calculated capacity is reached, but at least once a year. The performance is reduced if the recommended flow rate is exceeded. Always rinse the cartridge after initial installation or after a cartridge change.

#### Description KKF

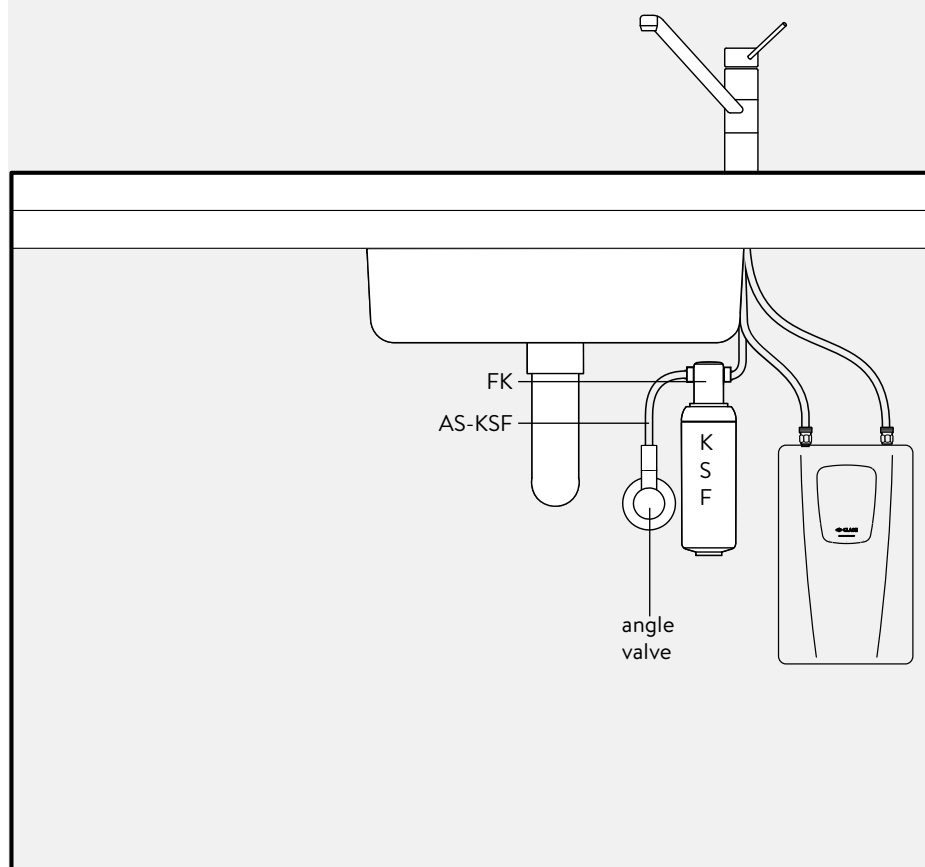
- > Two-stage ion exchanger cartridge for softening, pH stabilising and filtering water for appliances used to make hot drinks, speciality coffees and tea
- > Reduces minerals such as calcium and magnesium as well as chlorine, odours and flavours
- > Uses ion exchange resins with pH value, pH value stabilisation prevents excessive acidity
- > Stabilisation from coconut membrane with particularly high capacity
- > Reduces water hardness, which can lead to scale formation in boiling water machines
- > Hygienic and easy replacement of the filter cartridges. Internal filter parts are not exposed to contact or contamination

#### Description KSF

- > Fine filter for filtering water for appliances for the production of cold drinks and hot drinks
- > Retains ultra-fine particles and suspended particles down to 5 microns
- > Natural filtration thanks to granulate made from coconut shells and coconut membranes
- > Reduces chlorine, hormone and drug residues, pesticides, heavy metals and thus improves the taste and odour of the water
- > Hygienic and easy replacement of the filter cartridges. Internal filter parts are not exposed to contact or contamination

When installing the CLAGE filters, please note the deviating dimensions (see table on page 2). The minimum distance of 10 cm above and below must be observed. Installation is possible horizontally (lying down) and vertically.

The installation and operating instructions must be observed during installation.

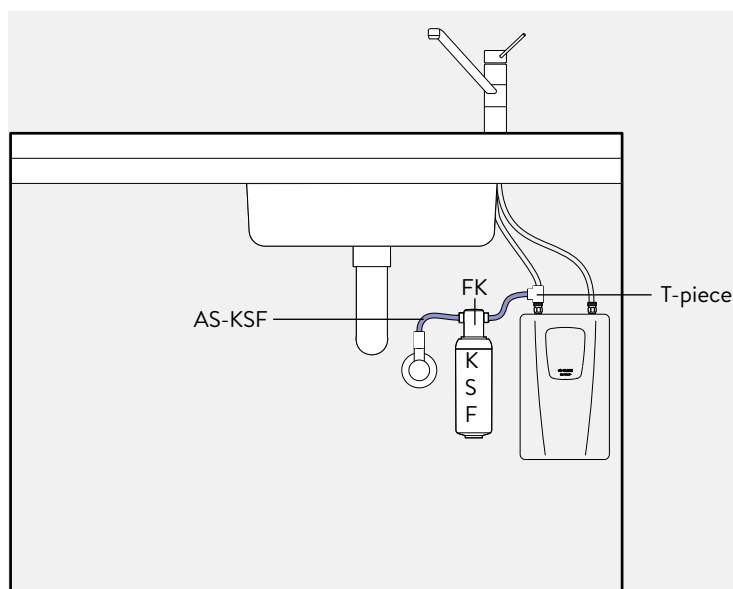


Example installation with **KSF in the cold water connection of a non-pressurised tap**.

For filtering tap water for direct consumption.

**Required:**

- > KSF
- > Connection set AS-KSF
- > Filter head FK



Example installation with **KSF in the cold water connection of a pressurised tap**.

For filtering tap water for direct consumption.

**Required:**

- > KSF
- > Connection set AS-KSF
- > Filter head FK
- > T-piece

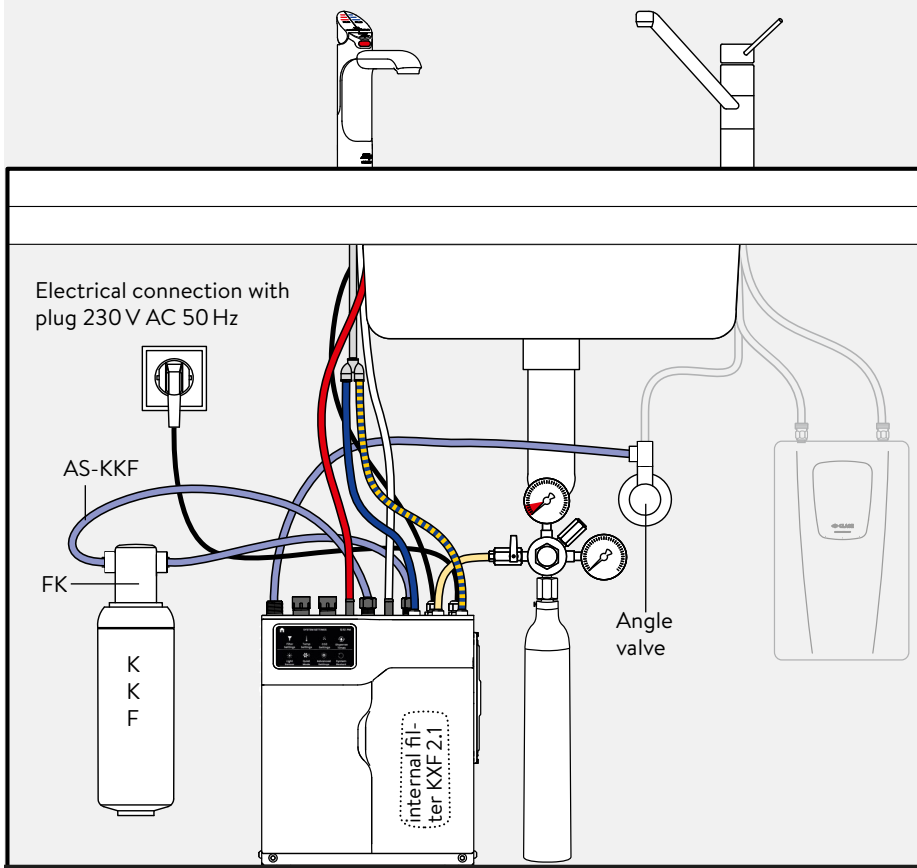
# Filter systems for water treatment

## KKF and KSF



When installing the CLAGE filters, please note the deviating dimensions (see table on page 2). The minimum distance of 10 cm above and below must be observed. Installation is possible horizontally (lying down) and vertically.

The installation and operating instructions must be observed during installation.



Example installation with **KKF in the hot water bypass** of a Zip HydroTap® G5 BCS for softening the hot water.

Recommended for withdrawal quantities > 3000 litres per year

### Required:

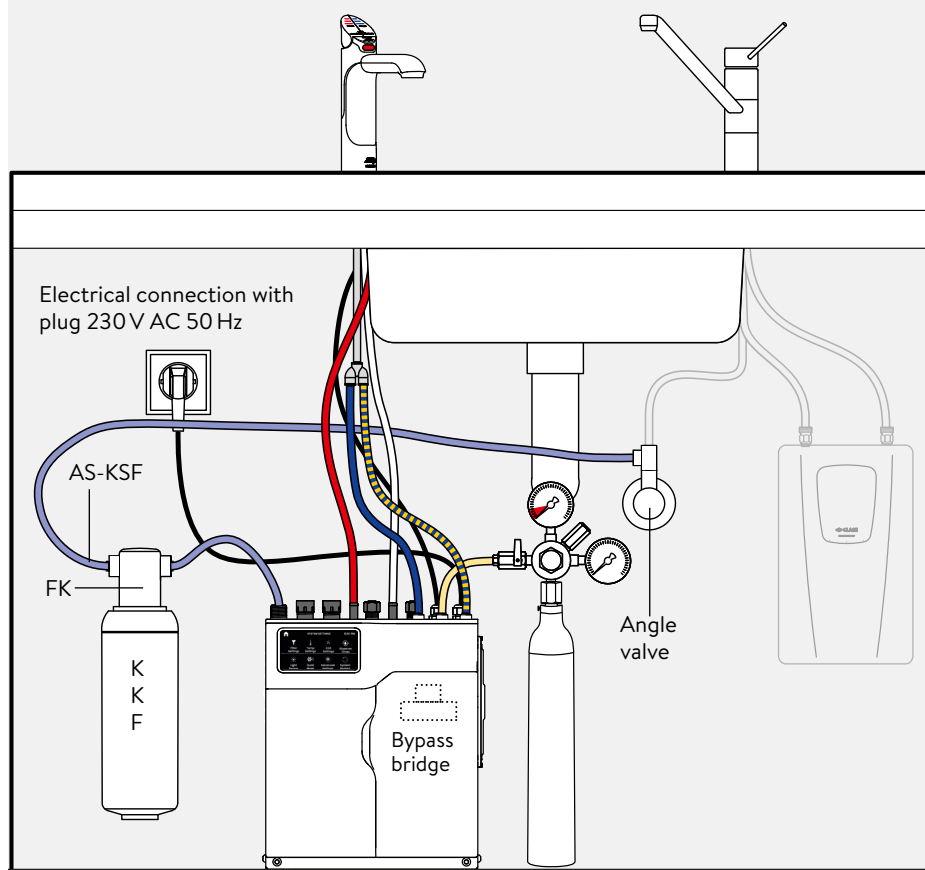
- > KKF
- > Connection set AS-KKF
- > Filter head FK

# Filter systems for water treatment

## KKF and KSF

When installing the CLAGE filters, please note the deviating dimensions (see table on page 2). The minimum distance of 10 cm above and below must be observed. Installation is possible horizontally (lying down) and vertically.

The installation and operating instructions must be observed during installation.



Example installation with **KKF in the cold water inlet** of a Zip HydroTap® G5 BCS for softening the hot water and simultaneously filtering the cold water.

Recommended for withdrawal quantities  $\leq 3000$  litres per year

The Zip internal filter is bypassed in this installation arrangement using the following accessories:

### ZIP Filter Bypass bridge 894377

#### Required:

- > KKF
- > Connection set AS-KSF
- > Filter head FK
- > Bypass bridge

### Calculation of the withdrawal quantities for a Zip Hydrotap® water system

Water withdrawal per person/day	1 litre
Composition of the withdrawals:	$\frac{3}{4}$ litre cold water / CO <sub>2</sub>
	$\frac{1}{4}$ litre hot water
Example calculation for 10 people:	10 litre per day
Working days per year:	230 days
Total withdrawal quantity:	2300 litre (230 × 10)
Cold water withdrawal	1700 litre
Hot water withdrawal	600 litre

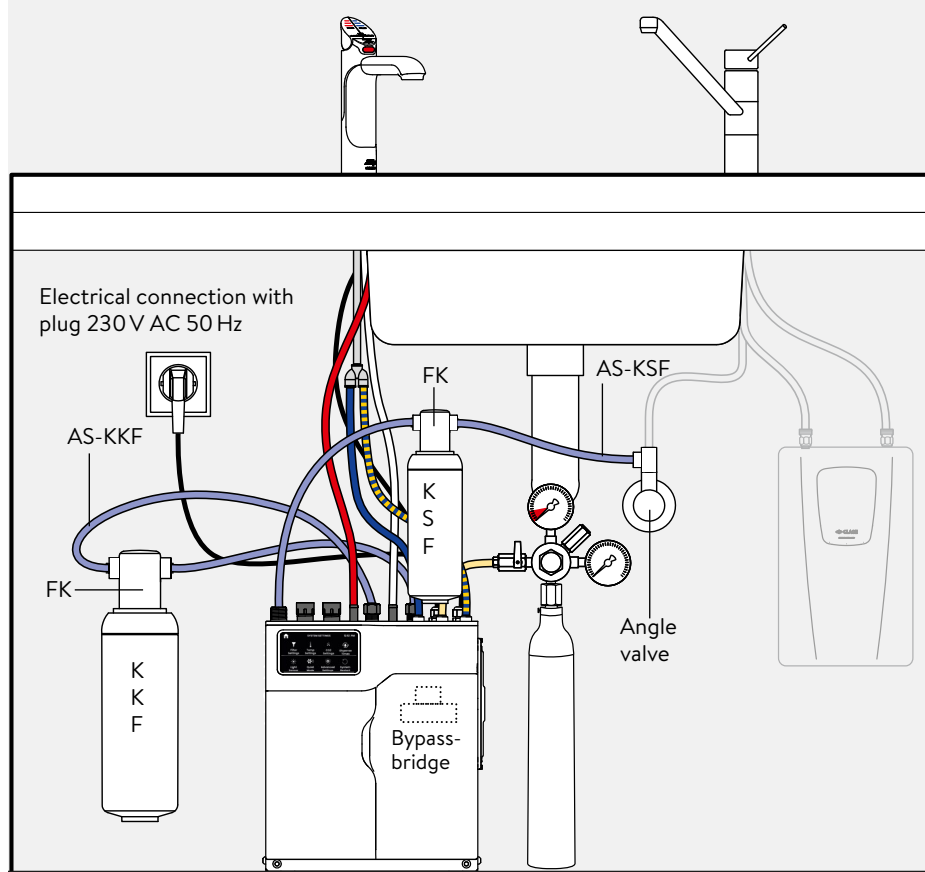
# Filter systems for water treatment

## KKF and KSF



When installing the CLAGE filters, please note the deviating dimensions (see table on page 2). The minimum distance of 10 cm above and below must be observed. Installation is possible horizontally (lying down) and vertically.

The installation and operating instructions must be observed during installation.



Example installation with **KSF in the cold water inlet** and additionally with a **KKF in the hot water bypass** of a Zip HydroTap® G5 BCS.

For softening the hot water and separate filtering of the cold water. Ideal for large withdrawal quantities and simple system cleaning.

Recommended for commercial applications with withdrawal volumes > 6000 litres per year

The Zip internal filter is bypassed in this installation arrangement using the following accessories:

**ZIP Filter Bypass bridge 894377**

### Calculation of the withdrawal quantities for a Zip Hydrotap® water system

Water withdrawal per person/day	1 litre
Composition of the withdrawals:	¾ litre cold water / CO <sub>2</sub>
	¼ litre hot water
Example calculation for 20 people:	20 litre per day
Working days per year:	230 days
Total withdrawal quantity:	4600 litre (230 × 20)
Cold water withdrawal	3500 litre
Hot water withdrawal	1100 litre

### Required:

- > KKF
- > KSF
- > Connection set AS-KSF
- > Connection set AS-KKF
- > Filter head FK (2 Stück)
- > Bypass bridge



**Filter head FK**

For installing the CLAGE KKF and KSF filters on all Zip appliances.  
The connection accessories must be ordered separately.

**Filter head FK:** Part no.: 845071



**Connection set AS-KKF**

Connection set for installing the filter on the hot water bypass of the water system.

**Connection set AS-KKF:** Part no.: 845073



**Connection set AS-KSF**

Connection set for installing the filter to the cold water inlet of the water system or for connecting the tap.

**Connection set AS-KSF:** Part no.: 845072