

E-compact instant water heater CEX / CSO



Application areas

Single point supply:

- > Disposal sink
- > Washroom
- > Kitchenette



E-compact instant water heater

CEX / CSO

Product information



Energy efficiency class **A** (Scale: A+ to F) **CEX / CSO** (with Multiple Power System: 11 or 13.5 kW adjustable)

Part number:	2400-26390	
Type:	closed-outlet	
Maximum operating pressure [MPa (bar)]:	1 (10) ^{*)}	
Water connections (thread connections):	G ½"	
User set temperature [°C]:	20 to 60	
Hot water output at $\Delta t = 33\text{ K}$ ^{1) 2)} [l/min]:	4.8	5.8 ³⁾
Switch-on flow rate / max. flow rate ⁴⁾ [l/min]:	2 / 5	
Nominal power rating ⁵⁾ [kW]:	11.0	13.5
Nominal voltage [3~ / PE 380 – 415 V AC]:	fixed connection	
Nominal current ²⁾ [A]:	16	20
Required cable diameter ²⁾ [mm ²]:	1.5	2.5
Bare wire heating system IES [®] :	✓	
Ready for Smart Control:	✓ (optional)	
Ready for FX wireless remote control:	✓ (optional)	
Solar-compatible, suitable for reheating (inlet temperature $\leq 60\text{ °C}$):	✓	
VDE approved / Protection class:	✓ / IP 25	
Specific water resistance at 15 °C [Ωcm] \geq :	1000	
Nominal volume [litres]:	0.3	
Weight filled with water [kg]:	approx. 2.7	
Dimensions (height × width × depth) [cm]:	29.4 × 17.7 × 10.4	

^{*)} Also approved for pressureless operation ¹⁾ Temperature increase e.g. from 12 °C to 45 °C optimal temperature increase ⁵⁾ Related to nominal voltage 400 V

²⁾ Depending on the selected power rating ³⁾ Mixed water ⁴⁾ Limited flow amount for

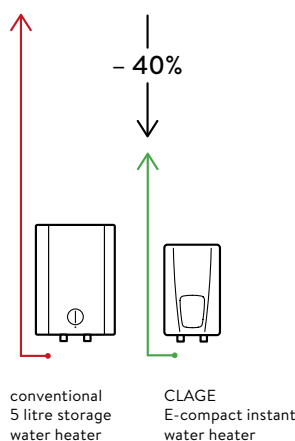
Description

- > Electronically controlled instant water heater with compact design as oversink appliance with vented wall-mounted single lever mixer tap CSO
- > Sensor-key operation with LED indicator for precise temperature setting between 20 °C and 60 °C
- > Two programming keys for individual pre-set temperatures, activatable temperature limit and operating displays
- > Single lever mixer tap CSO with long life ceramic cartridge and 16 cm swivel spout
- > With power cable for 3-phase power supply
- > Precise temperatures due to TWIN TEMPERATURE control TTC[®] up to the capacity of the appliance
- > The efficient bare wire heating system IES[®] reduces lime scale deposits and provides an extended service life
- > With the Multiple Power System MPS[®], the maximum power rating is set at the time of installation: 11 or 13.5 kW
- > Can also be controlled via tablet or smartphone (iOS 9 or higher / Android-OS 4.4 or higher, FXE3 adapter and the »Smart Control« app required)
- > Solar-compatible (inlet temperature $\leq 60\text{ °C}$)

Profitability comparison (Source: www.clage.com)

Saves up to 40 % energy compared to conventional storage heaters.

The E-compact instant water heater features an economical operation. The water is heated directly as it flows through the unit. Hot water is not stored in a tank, which saves standby energy that would be otherwise required.



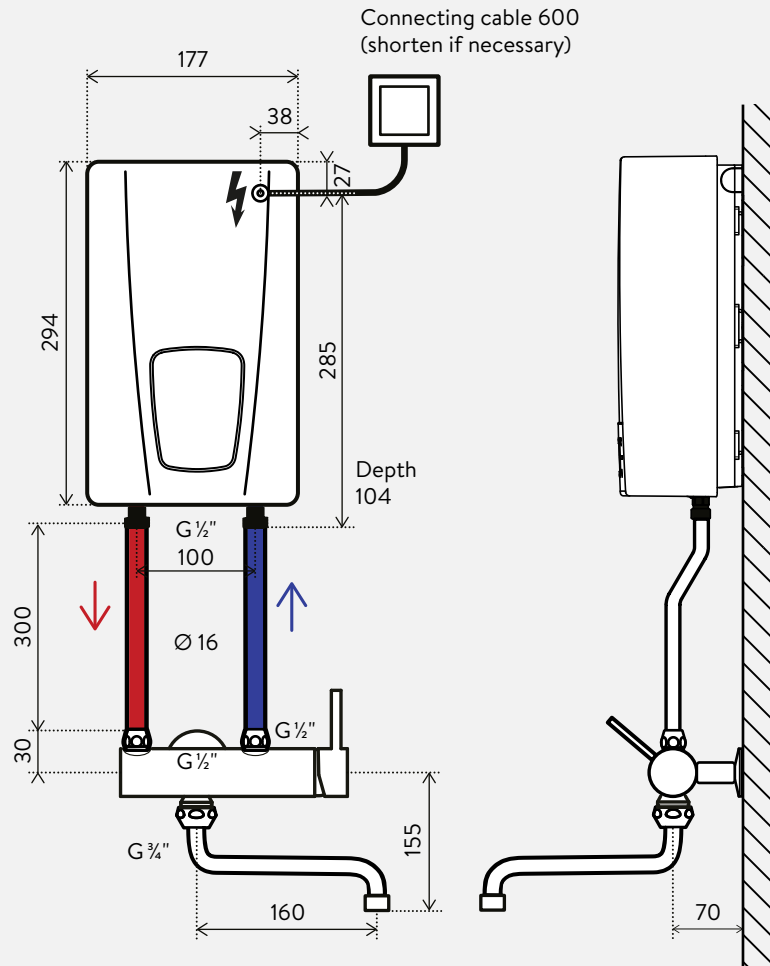
E-compact instant water heater CEX / CSO Installation



Example of installation:
with **vented wall-mounted mixer tap CSO**
to supply a **disposal sink**.

Assembly and operating instructions
must be observed upon installation.

Measurements in mm





Accessory recommendation for disposal sink (included)

CSO (open-outlet)

Single-lever wall-mounted mixer tap for installation at a ½-inch wall connection with swivel spout 16 cm

CSO: Part no. 1100-04165



FXS 3 (C) remote control set (optional)

FX3 remote control including Bluetooth® remote control adapter FXE3 (C) for integration into the instantaneous water heater as a set. In addition to the operation at the device, the remote control allows the comfortable temperature adjustment of the instantaneous water heater over a distance of approx. 10 metres in the building. Secure Bluetooth® radio transmission, stepless temperature selection via two buttons, two fixed value buttons and an LCD display, magnetic wall bracket and batteries (included in delivery). IP 20. Dimensions (H × B × T): 5.8 × 12.5 × 1.9 cm

FXS 3 (C): Part no. 3200-34027



FXE 3 (C) remote control adapter (optional)

Bluetooth® remote control adapter for integration into the instantaneous water heater to connect the water heater to a smartphone / tablet or the FX3 remote control. This adapter is required if the appliances are not yet equipped with an FX3 remote control.

FXE 3 (C): Part no. 3200-34026



Apple

Android



Aerator CSP 6, CSP 6a and CSP 6i (optional)

The aerator at the tap supports the energy- and water-saving operation of the compact instant water heater. The new special CSP aerators mix air into the water and thus create a uniform water stream that does not splatter but softly cascades down.

- > Aerator insert for tap adapter M 22/24 at the tap
CSP 6 (< 3.5l / min): Part no. 0010-00461
- > Aerator with chrome tap adapter M 24a (suitable for taps with internal thread at outlet)
CSP 6a: Part no. 0010-0047
- > Aerator with chrome tap adapter M 22i (suitable for taps with external thread at outlet)
CSP 6i: Part no. 0010-0046