

# Tap Celsius Arc AIO »All In One«



## Application areas

Optional tap for:

> Drinking water system Zip HydroTap® BCS



# Tap

## Celsius Arc AIO »All In One«

### Product information



#### Functionality of the tap



SELECT

**Boiling water:**  
Press SELECT-key until it lights up red.



SELECT

SAFETY

**With activated SAFETY-Function:** Press the SAFETY-key twice briefly, until it flashes red and immediately draw water.



SELECT

**Chilled still water:**  
Press SELECT-key until it lights up blue.



SELECT

**Chilled sparkling water:**  
Press SELECT-key until it lights up white.



**Mains water:**  
Separate lever for mains water, e.g. for washing dishes.



#### Glass and cup filling

Filling by turning the controller counterclockwise.



#### Quantity filling (e.g. carafe)

Filling by turning the controller clockwise without holding.

#### Description

- > This pressure resistant tap is an all-round talent, it combines all the functions of a BCS tap and additionally offers the possibility of tempering and tapping conventional mains water as usual with a lateral lever
- > With the Celsius Arc AIO you can conveniently obtain all water variations from a single central tap
- > No additional tap for normal mains water necessary
- > Flexible connection hoses ½", T-piece and 2 × double nipples ½" and adapter from ½" to ¾" included
- > Swivel spout
- > Available in matt black, brushed chrome and shiny chrome



Part no.: 4100-44526



Part no.: 4100-44525

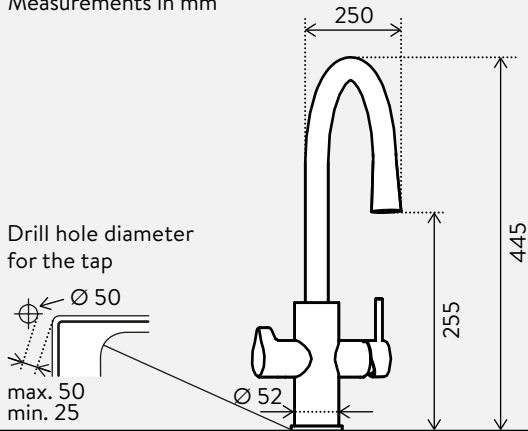


Part no.: 4100-44524

# Tap Celsius Arc AIO »All In One« Installation

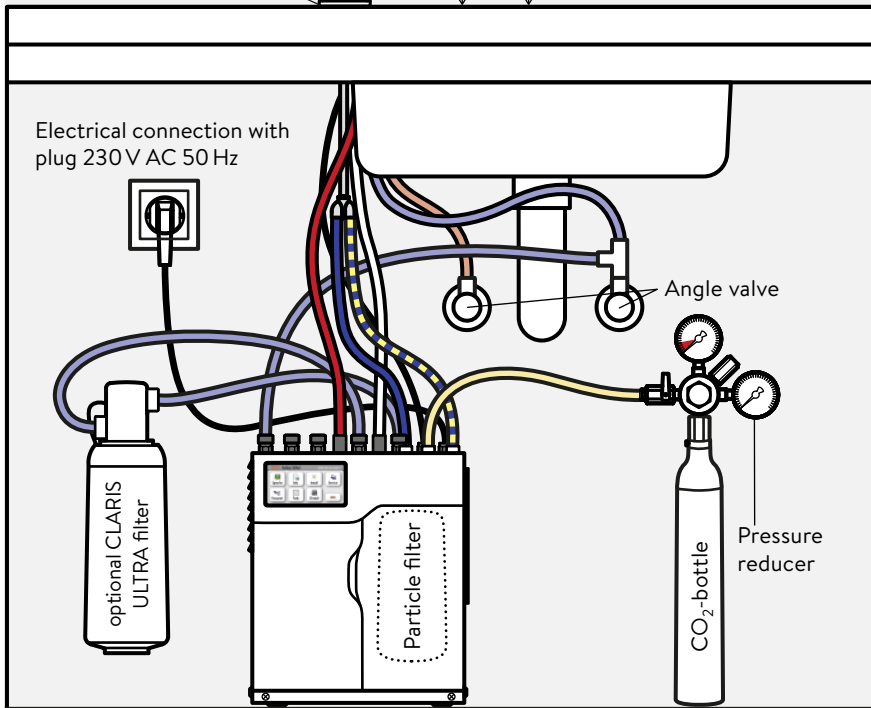


Measurements in mm



Installation example Celsius Arc AIO and G4 Zip HydroTap® BCS.

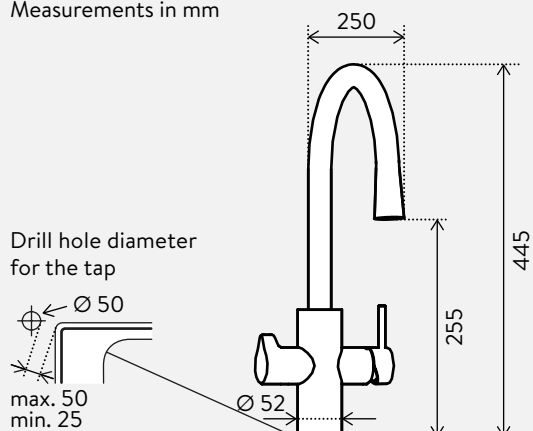
Assembly and operating instructions must be observed upon installation.



# Tap Celsius Arc AIO »All In One« Installation



Measurements in mm



Installation variant:  
Celsius Arc AIO and G4 Zip HydroTap® BCS  
combined with the E-compact instantaneous  
water heater CFX-U.

Assembly and operating instructions must be  
observed upon installation.

